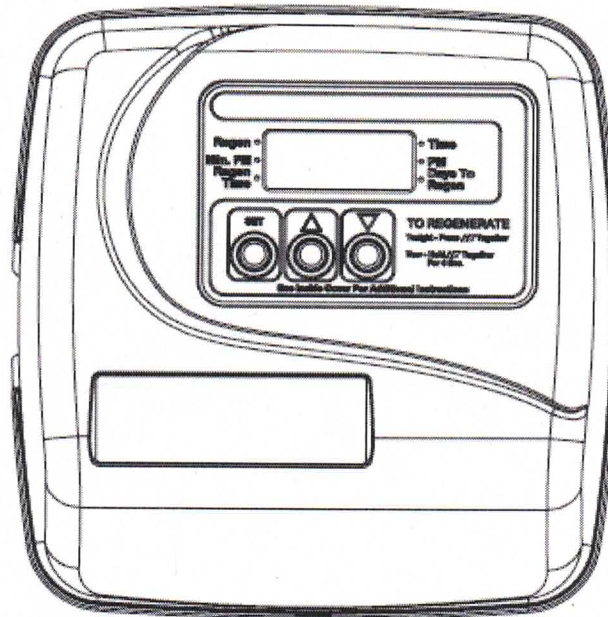


# H2O to GO

## ECE SERIES

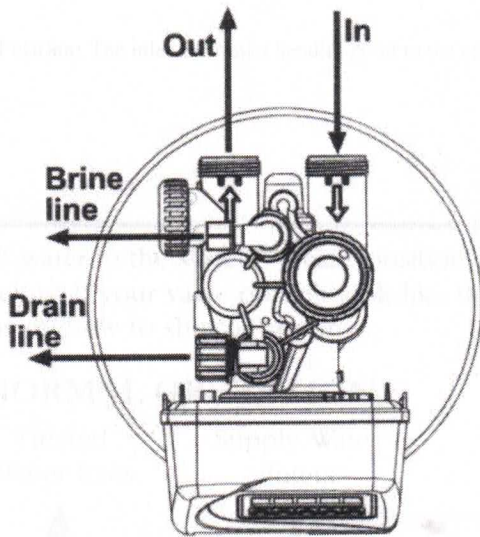


## Installation Instructions and Owners Manual

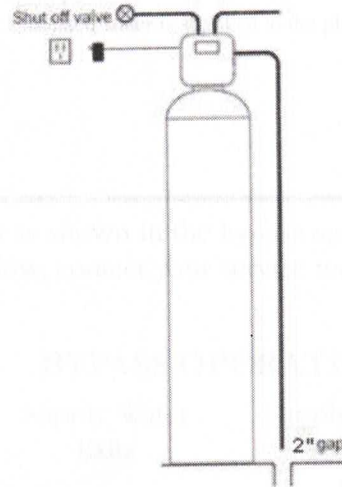


**702-367-2100**

## BASIC INSTALLATION



### Basic installation



### General installation & Guide

The control valve, fittings and/or bypass are designed to accommodate minor plumbing misalignments but are not designed to support the weight of a system or the plumbing.

**Do not** use Vaseline, oils, other hydrocarbon lubricants or spray silicone anywhere. A silicone lubricant may be used on black o-rings but is not necessary. Avoid any type of lubricants, including silicone on red or clear lip seals.

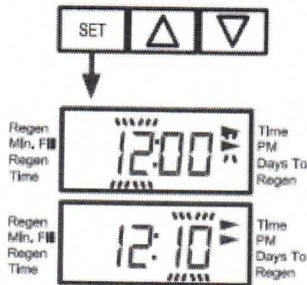
**Do not** use pipe dope or other sealants on threads. Teflon tape must be used on the threads of the 1" connection and on the threads for the drain line connection. Teflon tape is not necessary on the nut connections or cap because o-rings seals are used. The nuts and caps are designed to be tightened by hand or with the special plastic service wrench, #V3193-XXX. If necessary a pliers can be used to unscrew the nut or cap. **Do not** use a pipe wrench. **Do not** place screwdriver in slots on caps and/or tap with a hammer.

1. The distance between the drain and the water softener should be as short as possible. Drain tube/pipe should be a minimum of 5/8" size.
2. All plumbing should be done in accordance with local plumbing codes.
3. Do not install any Water Softener with less than 15 feet of piping between its outlet and the inlet of a water heater.
4. Do not locate unit where it or its connections (including the drain and overflow lines) will ever be subjected to room temperatures under 34F.
5. Inlet/outlet plumbing: connect to a supply line and install an inlet shutoff valve.
6. Drain line: Be sure that the drain can handle the backwash rate of the system and install a flexible plastic tube to the Drain Line Assembly.
7. **\*\*Check you water pressure!!!** Water pressure exceeding 90 PSI will void your warranty. Install a pressure regulator is your pressure is over 80 PSI.

# 1. Set Time of Day, Regen Time & Days between Regen.

## TO SET TIME OF DAY

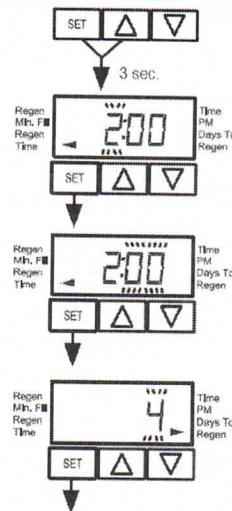
In the event of a prolonged power outage, time of day flashes, indicating that it needs to be reset. All other information will be stored in memory no matter how long the power outage. Please complete the steps as shown to the right. To access this mode, press "SET."



1. Accessed by pressing SET for approximately 3 seconds.
2. Adjust hour with ▲ or ▼. With 60 Hz line frequency detection on power-up, timekeeping is 12 hour with PM indicator. With 50 Hz line frequency detection on power-up, timekeeping is 24 hour without the PM indicator. Press SET to go to the next step.
3. Adjust minutes with ▲ or ▼.
4. Press SET to complete and return to normal operation.

## TO SET TIME OF REGENERATION AND DAYS BETWEEN REGENERATION

For initial set-up or to make adjustments, please complete the steps as shown. Access this mode by pressing SET and ▲ for approximately 3 seconds. The number of days between regenerations may need to be varied based on usage and water conditions. (This step will not appear if the 7-day clock option is selected.)



1. Accessed by pressing SET and ▲ simultaneously for about 3 seconds.
2. Set Regeneration Time Hour. Set the time for regeneration to start. Press SET to go to the next step.
3. Set Regeneration Time Minutes. Press SET to go to the next step.
4. Set number of Days between regeneration cycles.
5. Press SET to complete and return to normal operation.

**General Operation:**

**GENERAL  
OPERATION**

When the system is operating one of two displays will be shown: time of day or days until the next regeneration. Pressing ▲ or ▼ button will toggle between the two choices.

